

iSEVEN FLEX SERVER



RM7-42-80/10A-S2

➤ The **iSEVEN Flex SERVER** rack is ideal for anyone who needs to house servers properly. The iSEVEN Flex SERVER combines our day-to-day rack with the highly valuable features of our RSF pure server rack. Comes with a mounted frame (delivered unassembled).



MAIN ADVANTAGES

- Server rack for standard IT hardware up to 1000 kg
- Unmatched 86% door perforation ratio decreases server fan power consumption
- Unassembled version for transport to inaccessible spaces

COLOR SAMPLER:  RAL 9005

 RAL 7035

DESCRIPTION:

Sizes

- Height: 42U
- Width: 600, 800 mm
- Depth: 1000 mm

Construction

- Robust frame design, joined by 32 M6×12 screws
- Delivered unassembled; assembly at installation site
- Quick and easy assembly
- 1.5 & 2 mm sheet steel

Load rating

- 42U: 1000 kg

19" Vertical extrusions

- A-type extrusions, non-divided (600 or 800 mm wide) extrusions without horizontal holders (for 800 mm provide additional 24U of installation space); adjustable from inside, blank panels not included.

IP rating

- Standard IP20

Colors

- Standard RAL 7035 and 9005

Front door

- Vented door – perforation rate 86%
- Swivel handle lock, DIN profile, universal key 333, singlepoint

Rear door

- Vented door – perforation rate 86%
- Swivel handle lock, DIN profile, universal key 333, singlepoint

Side panels

- Removable, with locks

Knock-out openings – cable entry

- Universal size 300×100 mm – rear side of top and bottom plate

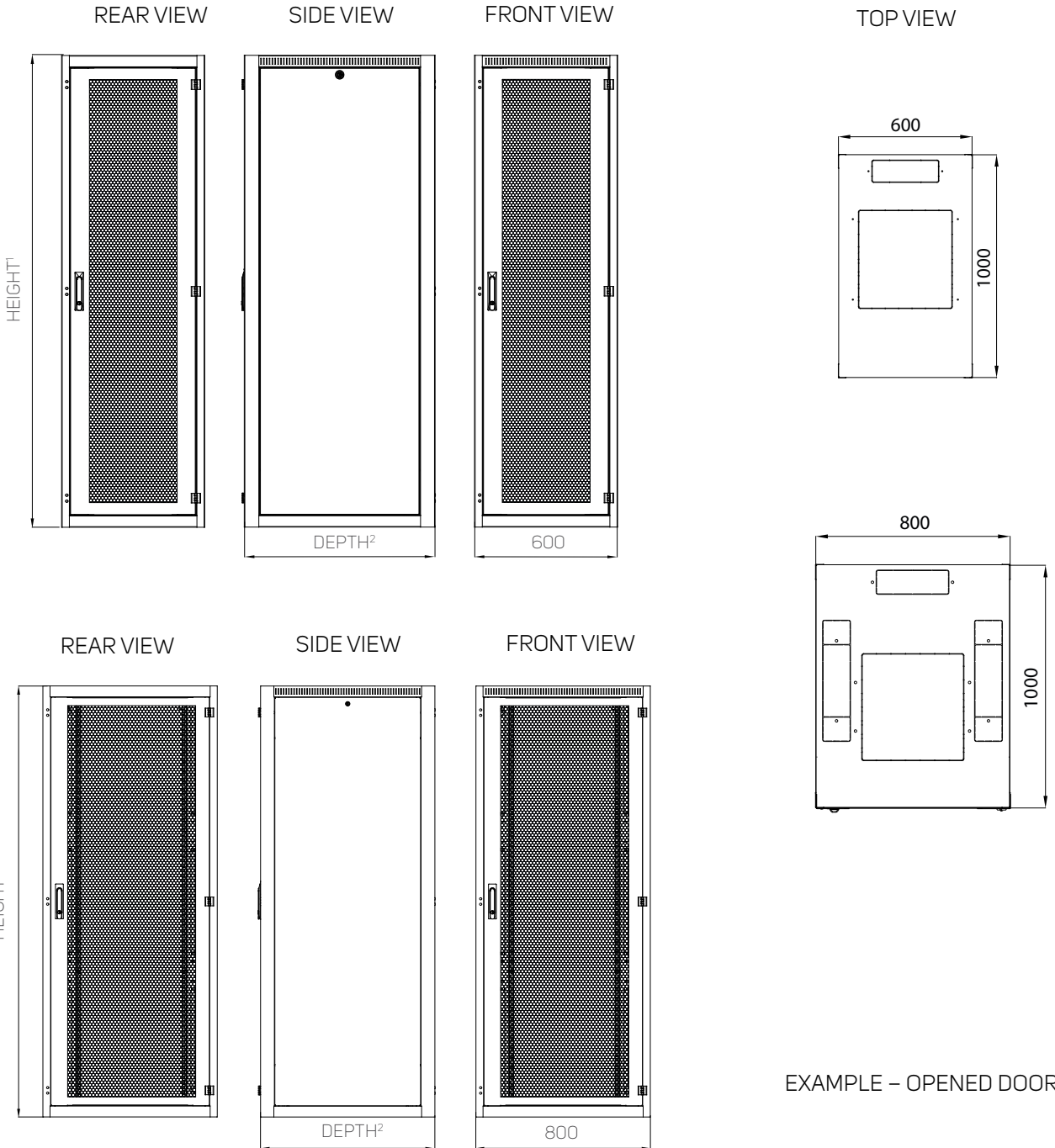
- Universal openings can be covered with blank panels (ordered separately)
- Extended size 500×115 mm – for 800 mm width only – both sides of top and bottom plate. Consists of 3 parts – 300×115 mm and 2× – 100×115 mm, each of which can be opened individually.
- Extended opening can be covered with blank panel or standard cable brush - middle opening. Opening can be protected by rubber edge piece (DP-KP-LEM-6) or brush (DP-KP-KAR-6).

Knock-out openings – ventilation unit installation

- Standard size 420×440 mm
- Available in top and bottom plate
- Can be covered with blank panels (ordered separately)

Adjustable Feet

ISEVEN FLEX SERVER RACKS



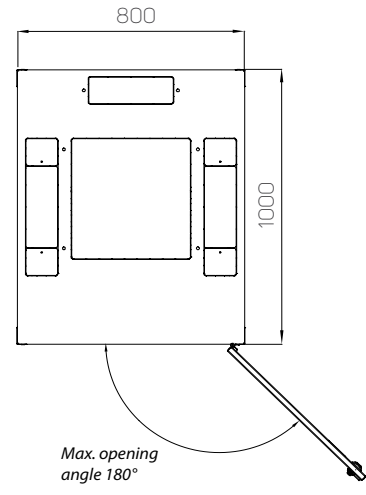
¹ Available heights:
 - for width 600 mm: 42U/1978 mm
 - for width 800 mm: 42U/1978 mm

² Available depths:
 - for width 600 mm: 1000 mm
 - for width 800 mm: 1000 mm

Ventilation unit openings
 420×440 mm

Cable entries
 300×100 mm 1× on top and bottom – rear
 500×115 mm 2× on top and bottom – side (for 800 mm width)

EXAMPLE – OPENED DOOR



Note: All dimensions in mm

ORDERING AND SHIPPING INFORMATION: Choose the iSEVEN Flex SERVER rack meeting your requirements from the table below. Each configuration comes with a separate list of components. After choosing the proper configuration and Codes, please contact your Conteg products distributor. Please note that all iSEVEN Flex SERVER RACKS ARE DELIVERED UNASSEMBLED (in 4 separate boxes)!

iSEVEN FLEX SERVER STANDARD CONFIGURATION

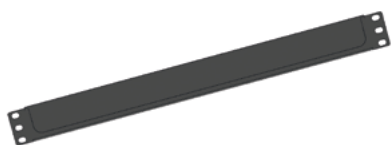
- Top and bottom covers
- 4 columns
- 2 pairs of 19" A-profile sliding vertical extrusions
- 2 pairs of A-profile vertical extrusion holders
- Front vented door – perforation rate 86%, with swivel handle lock
- Rear vented door – perforation rate 86%, with swivel handle lock
- 1 pair of sheet steel side panels, with locks
- 4 adjustable feet
- GND / earthing kit
- 28 mounting kits

Code	Height (in U)	Height (mm)*	Width (mm)	Depth (mm)	Useful depth (mm)	Color
RM7-42-60/10A-S1-B	42	1978	600	1000	990	RAL 7035
RM7-42-60/10A-S1-H	42	1978	600	1000	990	RAL 9005
RM7-42-80/10A-S2-B	42	1978	800	1000	990	RAL 7035
RM7-42-80/10A-S2-H	42	1978	800	1000	990	RAL 9005

* Height in mm without feet; for feet add 16–45 mm

Package information	For code RM7-42-60/10A-S1-B	For code RM7-42-60/10A-S1-H	Dimensions (mm) for RM7-42-60/10A-S1-B and RM7-42-60/10A-S1-H	For code RM7-42-80/10A-S2-B	For code RM7-42-60/10A-S1-H	Dimensions (mm) for RM7-42-80/10A-S2-B and RM7-42-60/10A-S1-H
Package 1	RM7-CO-42/6A-B	RM7-CO-42/6A-H	105×140×2100	RM7-CO-42/8A-B	RM7-CO-42/8A-H	105×140×2100
Package 2	RM7-TB-60/10A-S1-B	RM7-TB-60/10A-S1-H	630×1020×135	RM7-TB-80/10A-S2-B	RM7-TB-80/10A-S2-H	1005×1020×135
Package 3	RM7-DO-42/60-WVVV-B	RM7-DO-42/60-WVVV-H	550×70×1890	RM7-DO-42/80-WVVV-B	RM7-DO-42/80-WVVV-H	750×70×1890
Package 4	RM7-SP-42/100-B	RM7-SP-42/100-H	920×1920×85	RM7-SP-42/100-B	RM7-SP-42/100-H	920×1920×85

Recommended accessories



19" vented panel with brush

More information [on page 92](#)



Basic PDU

More information [on page 106](#)

www.conteg.com



CONTEG, spol. s r.o.

Headquarters:

Na Vítězské pláni 1719/4
140 00 Prague 4
Czech Republic
Tel.: +420 261 219 182
conteg@conteg.com
www.conteg.com

Production plant:

K Silu 2179
393 01 Pelhřimov
Czech Republic
Tel.: +420 565 300 300

Local Branches/Offices:

Austria/Germany/Switzerland:	+420 261 219 182
Benelux:	+31 76 5420 709
Southeastern Europe:	+49 172 8484 346
Finland:	+358 50 414 1257
France/Italy/Maghreb:	+33 1 60 04 55 90
Middle East:	+971 55 508 3241
Russia/CIS:	+7 495 967 3840
Saudi Arabia:	+966 54 000 2341

CONTEG